



UKM-S



UKM-S Series

- For dewatering and sewage applications.
- Handling spherical solids 45 to 100 mm.
- Capacity up to 800 m³/h - Total Head up to 40 m.

KHALI PUMPA

HMA PUMPS - Providing Energy Efficient Solutions

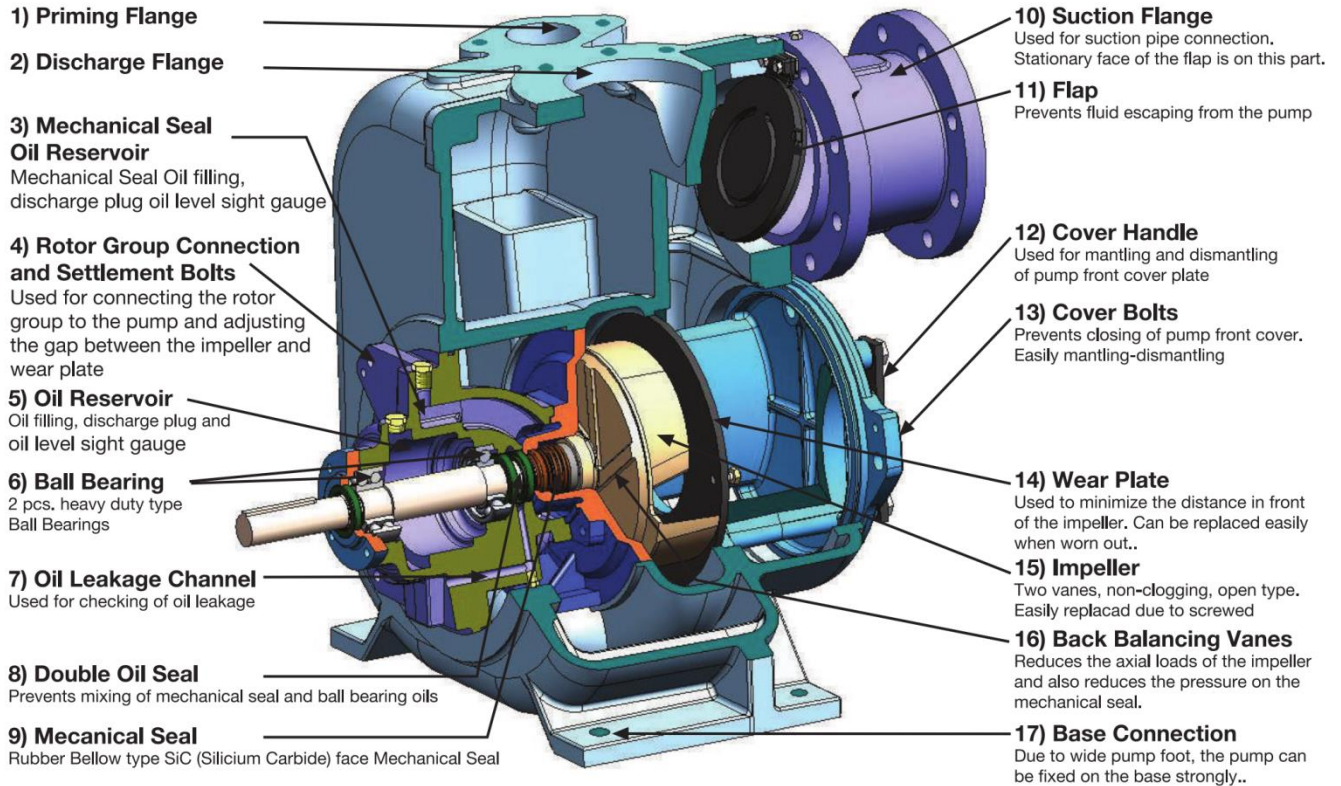
www.hmapumps.com

Head Office	(Khi)	Ph: 92-21-32313574-79, 32311727, 2311711	Fax: 92-21-32310601, 32313584	Email: sales.khi@hmapumps.com
Factory	(Khi)	Ph: 92-21-35121436, 35061580	Fax: 92-21-35121435	Email: factory@hmapumps.com
Regional Office	(Lhr)	Ph: 92-42-36369708, 36373941, 36301361&5	Fax: 92-42-36309708	Email: lhr@hmapumps.com
Regional Office	(Rwp)	Ph: 92-51-5166871-73	Fax: 92-51-5166874	Email: rwp@hmapumps.com
Area Office	(Mul)	Ph: 92-61-4518456	Fax: 92-61-4589761	Email: multan@hmapumps.com
Area Office	(Pwr)	Ph: 92-91-5253816	Fax: 92-91-5253823	Email: peshawar@hmapumps.com
Area Office	(Qta)	Ph: 92-81-2838918	Fax: 92-81-2838918	Email: quetta@hmapumps.com



General Specifications

Design



Material

Casing and bearing housing etc.: High Quality Grey Cast Iron / Ductileiron / GGG 40.3

Impeller : Open type - two vane - solids handling up to 100 mm - Grey Cast Iron, / stainless steel / Bronze

Wear-plate replaceable : Grey cast iron, / stainless steel Ductile iron / Hard steel

Radial bearing : Single Ball

Thrust bearing : Angular contact - double ball

Mechanical seal : Tungsten Carbide to Tungsten Carbide - Grease lubricated.

Performance Range

